



OVE 欧芙

INSTALLATION INSTRUCTIONS

安装说明书

VITREOUS CHINA P/S-TRAP TWO-PIECE TOILET

釉面陶瓷P/S弯管分体座便器

S-TRAP K-17737T-S2/K-17737T-2/K-17737T-RN/K-17737T-RNS

P-TRAP K-17737T-RNSP/K-17737T-RNP

## BEFORE YOU BEGIN

## 安装之前

- Please read these instructions carefully to familiarize yourself with the required tools, materials, and installation sequences. Follow the sections that pertain to your particular installation. This will help you avoid costly mistakes. In addition to proper installation, read all operating and safety instructions.
- All information in these instructions is based upon the latest product information available at the time of publication. Kohler China reserves the right to make changes in product characteristics, packaging, or availability at any time without notice.
- These instructions contain important care, cleaning, and warranty information - **please leave instructions for the consumer.**

- 请小心详阅本指引。以便熟悉所需工具、材料及安装程序。请遵照适用的章节来安装你的座便器，以避免由于安装不当而导致不必要的损失。除了有关正确的安装方法之外，还务请详阅所有操作及安全指引。
- 本指引所载之一切资料，均以印刷时所有之最新产品情况为基础，科勒中国保留权利随时更改产品特性、包装或供应情况，恕不另行通知。
- 本指引也包含了有关护理、清洁及保养等重要资料 - 请交予用户保存。

## ORDERING INFORMATION

## 订购信息

OVE 2PC Toilet 305mm .....	K-17737T-S2
Includes 2PC Tank 305mm .....	K-19990T-2
Includes 2PC Bowl 305mm .....	K-17736T-2
Includes OVE Elongated Quiet-Close Seat.....	K-17660T-M
OVE 2PC Toilet 305mm.....	K-17737T-2
Includes 2PC Tank 305mm .....	K-19990T-TN3
Includes 2PC Bowl 305mm .....	K-17736T-2
Includes OVE Elongated Seat.....	K-17669T-M
OVE 2PC Toilet 305mm.....	K-17737T-RN
Includes 2PC Tank 305mm.....	K-19990T-RN
Includes 2PC Bowl 305mm .....	K-17736T-RN
Includes OVE Elongated Seat.....	K-17669T-M
OVE 2PC Toilet 305mm .....	K-17737T-RNS
Includes 2PC Tank 305mm .....	K-19990T-RNS
Includes 2PC Bowl 305mm .....	K-17736T-RN
Includes OVE Elongated Quiet-Close Seat.....	K-17660T-M
OVE Elongated 2-PC Toilet W/ P-Trap.....	K-17737T-RNSP
Includes 2PC Tank 185mm .....	K-19990T-RNSP
Includes 2PC Bowl 185mm W/O P-Trap ....	K-17736T-RNP
Includes OVE Elongated Quiet-Close Seat.....	K-17660T-M
Includes P-Trap Connector Assy.....	1036901
OVE Elongated 2-PC Toilet W/ P-Trap .....	K-17737T-RNP
Includes 2PC Tank 185mm .....	K-19990T-RNP
Includes 2PC Bowl 185mm W/O P-Trap ....	K-17736T-RNP
Includes OVE Elongated Seat.....	K-17669T-M
Includes P-Trap Connector Assy.....	1036901

欧芙分体座便器305mm(带缓降盖板) .....	K-17737T-S2
含水箱305mm.....	K-19990T-2
含缸体305mm.....	K-17736T-2
含欧芙加长座便器缓降盖板 .....	K-17660T-M
欧芙分体座便器305mm.....	K-17737T-2
含水箱305mm.....	K-19990T-TN3
含缸体305mm.....	K-17736T-2
含欧芙加长座便器盖板 .....	K-17669T-M
欧芙分体座便器305mm.....	K-17737T-RN
含水箱305mm .....	K-19990T-RN
含缸体305mm .....	K-17736T-RN
含欧芙加长座便器盖板 .....	K-17669T-M
欧芙分体座便器305mm(带缓降盖板) .....	K-17737T-RNS
含水箱305mm .....	K-19990T-RNS
含缸体305mm .....	K-17736T-RN
含欧芙加长座便器缓降盖板 .....	K-17660T-M
欧芙分体座便器墙排(带缓降盖板) .....	K-17737T-RNSP
含欧芙水箱185mm .....	K-19990T-RNSP
含缸体185mm(不带P型管).....	K-17736T-RNP
含欧芙加长座便器缓降盖板 .....	K-17660T-M
含P型弯管.....	1036901
欧芙分体座便器墙排 .....	K-17737T-RNP
含欧芙水箱185mm.....	K-19990T-RNP
含缸体185mm(不带P型管).....	K-17736T-RNP
含欧芙加长座便器盖板 .....	K-17669T-M
含P型弯管.....	1036901


No.2 KOHLER ROAD, SANSHUI CENTRAL INDUSTRIAL PARK, LEPING TOWN, SANSHUI DIST., FOSHAN, GUANGDONG, PRC POST CODE: 528137  
广东省佛山市三水区乐平镇三水中心工业园区科勒大道2号 邮编: 528137


8# MENGSHAN RD, ECONOMIC DEVELOPMENT ZONE OF HUANTAI, ZIBO, SHANDONG, CHINA POST CODE: 256410  
山东省淄博市桓台经济开发区蒙山路8号 邮编: 256410

NO.1 KOHLER STREET, ECONOMIC DEVELOPMENT ZONE OF FAKU COUNTY, SHENYANG LIAONING PROVINCE, PRC POST CODE: 110400  
辽宁省沈阳市法库经济开发区科勒大街1号 邮编: 110400

## NOTES


- Observe all local plumbing and building codes.
- Shut off the water supply.
- Ensure that the new drain has the correct roughing-in dimension.
- Carefully inspect the new fixture for any sign of damage.
- Fixture dimensions are nominal and conform to tolerances established by ASME Standards (A112.19.2-2018).
- This product complies with Q/KCI-006-2018 and GB 25502-2017. Water Efficiency Grade 2.


 **WARNING: Risk of personal injury or product damage:** Handle vitreous china products very carefully. Vitreous china can break and chip if you over tighten bolts and nuts.

 **WARNING: Risk of external leakage.** The fill valve nut has been factory-tightened to design specifications. If re-tightening is required, wrench tighten 1/4 turn past finger tight.

## 注意

- 遵守当地所有给排水及建筑规定。
- 先关掉水源。
- 请确保污水管的坑距尺寸正确。
- 小心检验新的座便器是否有损坏的迹象。
- 部件尺寸为标定值，误差符合美国ASME标准(A112.19.2-2018)。
- 本产品符合Q/KCI-006-2018及GB 25502-2017。水效等级2级。

 **警告：**提防身体受伤或产品破裂。请小心处理釉面陶瓷产品。不可把螺母和螺栓上得过紧，以免产品破损或崩裂。

 **警告：**有向外渗漏之危险。注水阀螺母在出厂时已上紧以符合设计规格，如需再上紧，可用手上紧后再以扳钳上紧1/4圈。

## TOOLS AND MATERIALS REQUIRED (Not supplied)

- (10") adjustable wrench
- Supply shut-Off valve
- Tape measure
- Level
- Sponge
- Pipe wrench
- Tubing cutter
- Safety Glasses
- Drill and assorted bits

### Plus:

- Connector
- Metal file
- 1/2" Nut Driver/Socket
- Hacksaw

## 所需工具及材料（不随货供应）

- 10"可调节扳手
- 控制阀门
- 卷尺
- 水准仪
- 海绵
- 管扳手
- 管道切割器
- 防护眼罩
- 钻孔机及各型号钻头

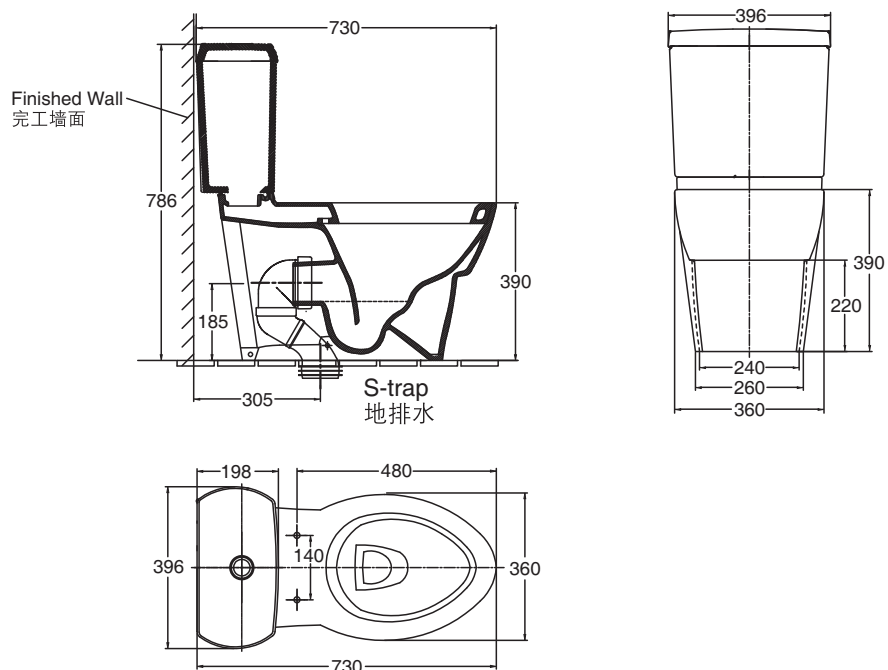
### 其他:

- 连接器
- 金属锉刀
- 1/2" 螺丝刀
- 弓型锯

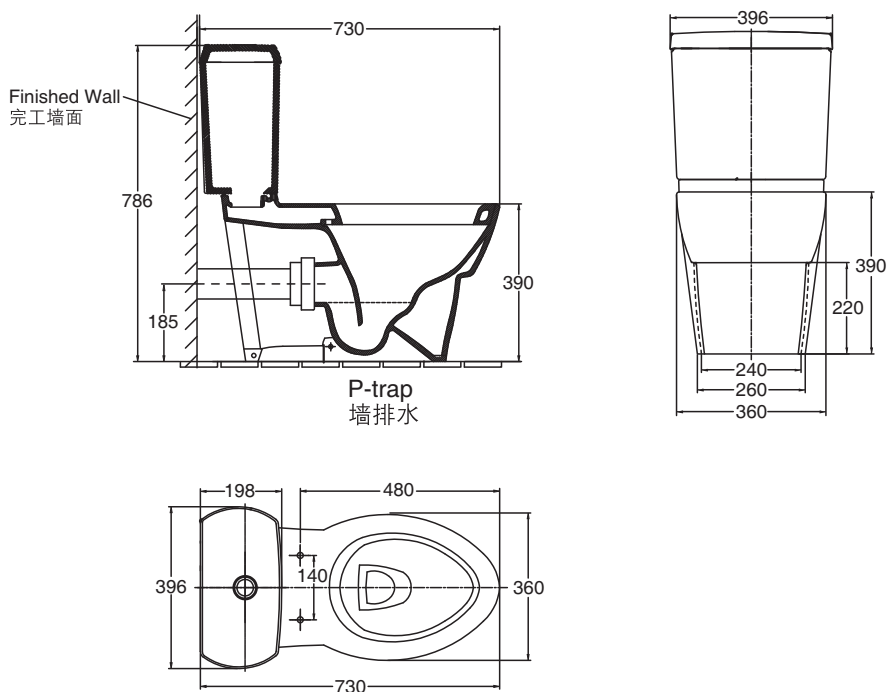
Reference Value  
参考值

Unit: mm  
单位: 毫米

**K-17737T-S2/K-17737T-2/K-17737T-RN/K-17737T-RNS**



**K-17737T-RNSP/K-17737T-RNP**



Kohler reserves the right to change marked dimensions without prior notice.  
科勒公司保留随时变更图中标示尺寸的权利，无需另行通知。

## INSTALLATION

## 安装

### 1. Remove the Existing Toilet

- Turn off the water supply.
- Flush the toilet, then sponge out all remaining water from the tank.
- Disconnect the supply shut-off valve(if present), and remove the old bowl and tank.

**CAUTION: Risk of hazardous gases.** If the new toilet is not installed immediately, temporarily stuff a rag in the closet flange.

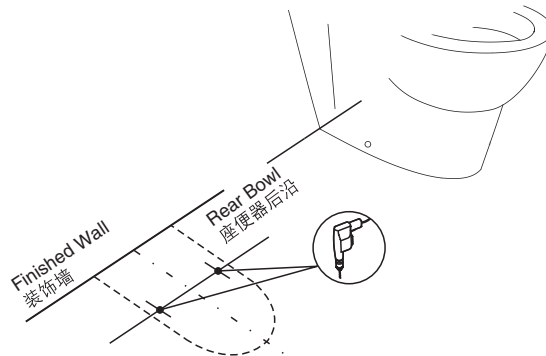
### 1. 拆除现有的座便器

- 关闭供水开关。
- 冲一下座便器，然后用海绵将水箱(蓄水池)内剩余的水吸干。
- 拆除控制阀门(如果安装过的话)，移走原有的桶身和水箱。

**注意：** 小心有害气体。如果暂时不安装新的座便器，那请用一些布片保护一下法兰。

### 2. PREPARE THE SITE

Ensure the rear bowl contacts the finished wall and mark the outline of bowl base on the floor with pencil. Mark the mounting hole centerline on the floor per width of the bowl.



### 2. 准备安装场所

确保座便器后沿贴墙，用铅笔在地上按照座便器外沿画出轮廓，然后根据座便器脚部的厚度及安装孔的位置，在地上标记安装中心孔。

### 3. INSTALL THE TANK (CISTERN)

Carefully turn the tank (cistern) upside down onto a protected surface. Place the gasket with the tank (cistern).

Position the tank (cistern) on the bowl (pan) by centering the gasket on the bowl (pan) inlet. Line up the tank (cistern) and bowl (pan) screw holes.

**CAUTION: Risk of product damage.** Overtightening may cause breakage or chipping of the vitreous china.

Assemble the retaining washer and rubber washer to the screw. Securely tighten the screws so the tank (cistern) is level.

Be sure the screws are tight enough to achieve a watertight seal.

### 3. 安装水箱

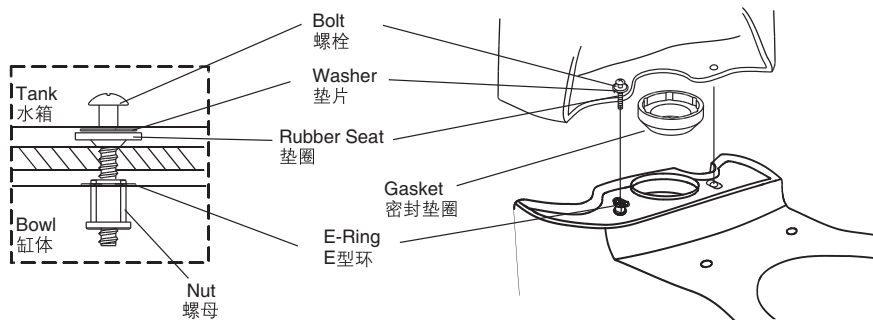
小心地将水箱倒置于保护表面上。在水箱下部装上垫圈。

将密封垫圈对准缸体进水口使水箱安装到位。使水箱和缸体的螺丝孔成一直线。

**警告：** 有产品损坏的危险。过分拧紧可能导致产品破损或崩裂。

在螺丝里装上保护垫片和密封垫片。安全地拧紧螺丝使水箱水平。

确保螺丝已足够拧紧达到不漏水的密封效果。

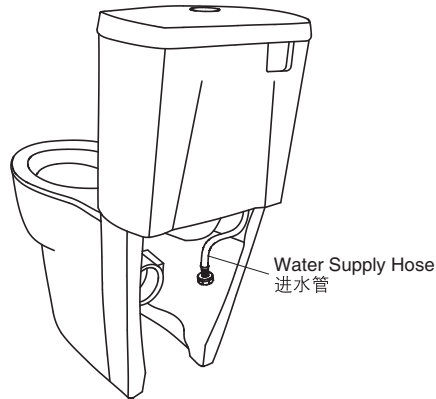


#### 4. Connect the Supply Hose

- Connect the water supply hose to toilet supply shank for either back inlet or bottom inlet.

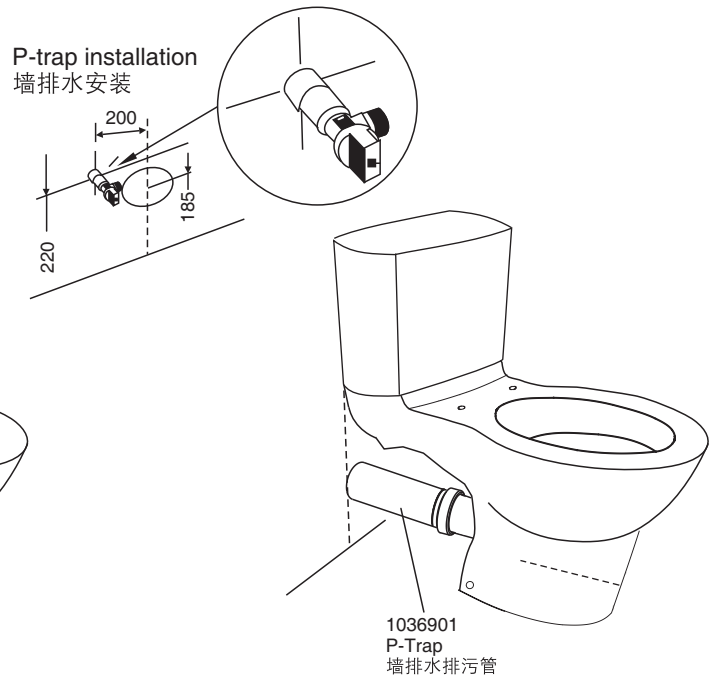
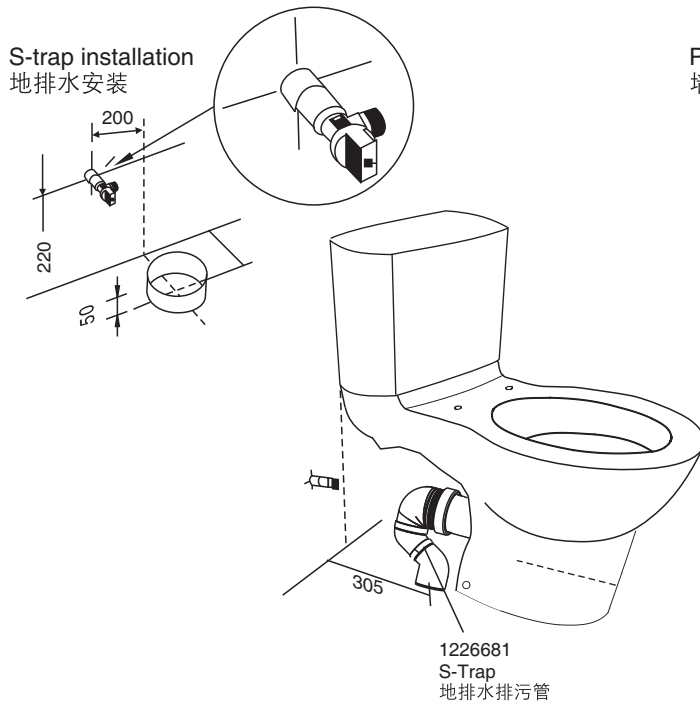
#### 4. 连接供水软管

- 通过软管连接进水阀与供水阀。



#### 5. Select trap to install your toilet according to the drain and shut-off valve's Roughing-in dimensions.

#### 5. 根据您现场的排水管及止水阀的安装尺寸，选择地排水安装座便器或墙排水安装座便器。



## 6. INSTALL THE NEW PAN

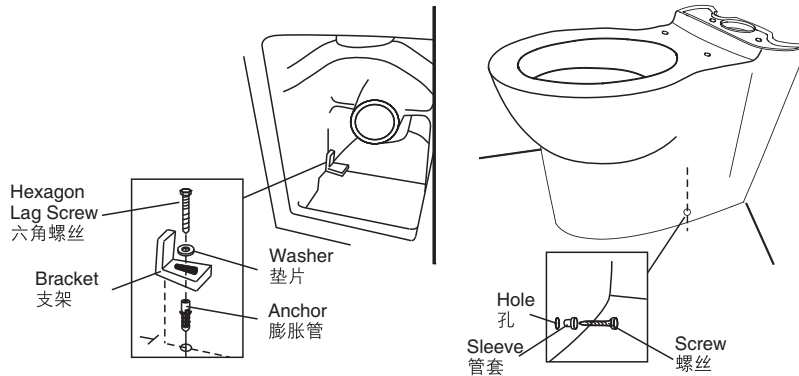
Place the pan and push up against the wall.  
 Check the mounting hole with pan on the floor.  
 Carefully remove the pan from the installation area.  
 Drill 3/8(10mm) mounting holes between the marked locations on the floor and insert the anchor.  
 For wooden floor, use the 4mm drill bit.

**CAUTION:** Please make sure there is no water pipe or spool under the holes to be drilled.

**CAUTION: Risk of product damage.** Overtightening may cause breakage or chipping of the vitreous China.

Install the washer over the bracket and insert the hexagon screw into the bracket through the washer then tighten the screw.

Align the pan back to position over the brackets.  
 Install the sleeves and tighten the screw.  
 Attach the caps.



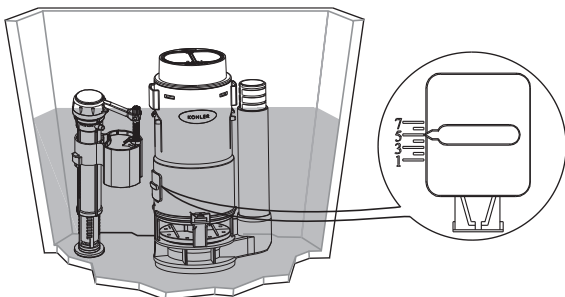
## 7. CONNECT THE SUPPLY

Connect the supply shut-off valve to the supply hose and connect supply hose to toilet supply shank.

Open the supply shut-off valve slowly to check for leaks. If the connections have been properly assembled, a slight tightening of the nuts should stop leakage.

Install the toilet seat according to the packed instructions.

Flush the toilet several times using first one push button and then the other, and check all connections for leaks. Verify proper operation.



## 6. 安装新座便器

放置座便器使之贴墙。  
 检查座便器与地上的安装孔是否吻合。  
 小心地把座便器移开安装区域。  
 在地板上的标记位置间钻10mm的安装孔，插入膨胀管。

如果是木地板，则用4mm的钻头钻孔。

**警告：** 钻孔前请确保孔位下面无水管或者线管。

**警告：** 有产品损坏的危险。过份拧紧可能导致产品破损或崩裂。

在支架上方安装垫片：插入六角螺丝，拧紧螺丝。

使座便器反面和支架上部的位置吻合。  
 安装螺丝套，拧紧螺丝。  
 盖上螺丝盖。

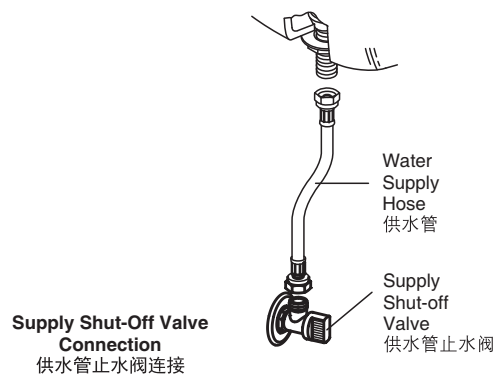
## 7. 连接供水

连接供水管和供水管止水阀，再把供水管与供水管接口相连。

慢慢地打开供水管止水阀检查有无渗漏。如果正确连接的话，稍微拧紧螺母即可阻止渗漏。

根据说明安装座便器座圈。

使用第一个按钮冲洗几次座便器，然后使用另外一个按钮，检查各连接处有无渗漏。校验合适的操作。



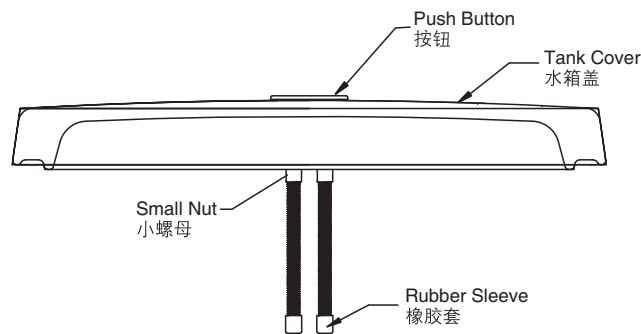
Supply Shut-Off Valve Connection  
 供水管止水阀连接

## 8. INSTALL AND ADJUST PUSH BUTTONS

- (1) Unscrew the big white nut on the push button and insert the button into the hole of the tank cover.
- (2) Fix tank cover onto the tank.
- (3) Test the push buttons.
  - 1) No need for any adjustment if the rods just touch the push buttons on the flush valve.
  - 2) If the rods are tightly against the push buttons on the flush valve, take out the buttons, loosen the small nuts and screw clockwise until the rods just touch the push buttons on the flush valve.
  - 3) If the rods cannot touch the push buttons on the flush valve, take out the buttons, loosen the small nuts and screw anticlockwise until the rods just touch the push buttons on the flush valve.
- (4) Take out the buttons and tighten the small nuts.
- (5) Tighten the big nut from inside the tank.
- (6) Test flush several times to check for leakage.

## 8. 安装调整冲水按钮

- (1) 旋开按钮上的白色大螺母，然后将按钮装入水箱盖的孔中。
- (2) 将水箱盖安装到水箱上。
- (3) 试按按钮
  - 1) 如按钮压杆与排水阀上大小冲按钮刚好接触，无需调整。
  - 2) 如按钮压杆顶住排水阀上大小冲按钮，取出按钮，松开小螺母，顺时针往里旋，直至按钮压杆刚好与排水阀上大小冲按钮接触。
  - 3) 如按钮压杆顶不到排水阀上大小冲按钮，取出按钮，松开小螺母，逆时针往外旋，直至按钮压杆刚好与排水阀上大小冲按钮接触。
- (4) 取出按钮，锁紧小螺母。
- (5) 从水箱盖内表面旋紧白色大螺母。
- (6) 试冲几次座便器检查无漏水。



## 9. Final Connections

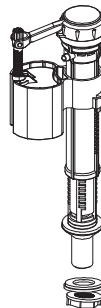
- Connect the supply shut-off valve to the supply hose.
- Open the supply shut-off valve slowly to check for leaks. If the connections have been properly assembled, a slight tightening of the nuts should stop leakage.
- Install the toilet seat according to the packed instructions.
- Flush the toilet several times using first one push button and then the other, and check all connections for leaks. Verify proper operation.
- Periodically check for leaks for several days following the installation.

## 9. 最后的连接

- 将供水软管连接到控制阀门。
- 慢慢的打开控制阀门，检查是否有漏水现象。如果设备已经很好的连接在一起，那么只需稍稍将螺母拧紧些就可以避免漏水现象。
- 根据包装说明安装座圈。
- 先后分别使用两个按钮冲洗座便器数次，检查各连接处是否有漏水现象。校验各步操作。
- 在安装完成后的几天内，请定期的检查是否有漏水现象。

## 10. FILL FLOAT WITH BALLAST

- Test flush the toilet.
- Periodically check all connections for leaks for several days following installation.
- Set the tank cover in place on the tank.

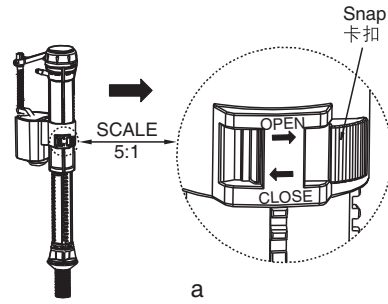


## 10. 注水以稳定浮球

- 测试冲水情况。
- 安装后的几天内，应反复检查所有接驳处有否渗漏。
- 盖上水箱盖。

## 11. MINOR ADJUSTMENT OF WATER LEVEL

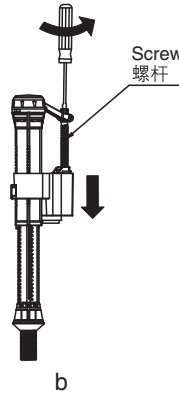
Move the snap along "OPEN" direction.



## 11. 水位微量调节

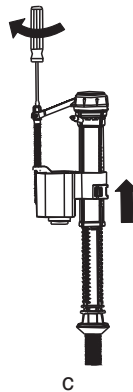
沿OPEN方向按出卡扣。

**To lower water level:** Move water cup down to a proper height and rotate screw anticlockwise to achieve the desired water level. (Refer to float adjustment instructions.)



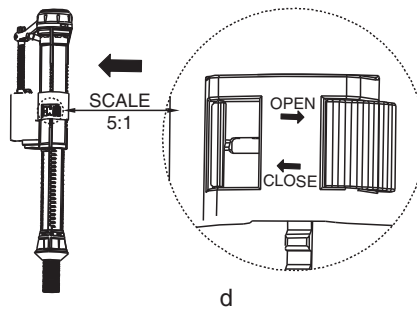
降低水位：下调止水杯到需求高度，逆时针旋转螺杆，使得浮桶下降到合适位置（参考浮桶调节注意事项）。

**To elevate water level:** Rotate screw clockwise and raise float to the desired water level. Elevate water cup to a proper position as well. (Refer to float adjustment instructions.)



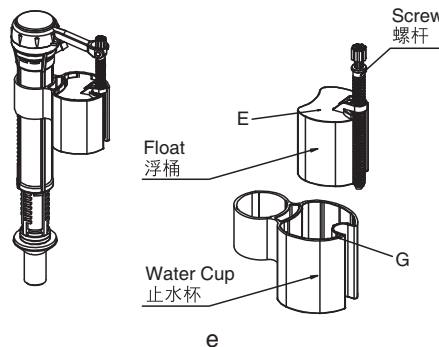
升高水位：顺时针旋转螺杆使得浮桶上升到需求高度，上调止水杯到合适位置（参考浮桶调节注意事项）。

Fasten the snap along "CLOSE" direction.



沿CLOSE方向扣紧卡扣。

**Float adjustment instructions:** Make sure the height of surface E is 2-4mm lower than surface G.



浮桶调节注意事项：调节螺杆时保证E面下沉于G面2-4mm。

## TROUBLESHOOTING CHART

This troubleshooting guide is for general aid only.

**Note:** If the problem is water continuously running into the toilet, turn off the water supply to the toilet. **Do not flush.** If the water level in the tank lowers, replace the seal of the flush valve. If the level in the tank remains constant, replace the float valve.

SYMPTOMS	CORRECTIVE ACTION
1. Poor flush.	A. Adjust tank water level to match waterline. B. Fully open water supply shut-off valve. C. Clear obstruction in trapway, jet, or bowl rim holes. D. Clear obstruction in soil pipe or vent pipe.
2. No flush.	A. Remove the canister out of the flush valve and check mechanic system. If it has some part damage, replace the new canister on the flush valve. B. Adjust push rods to position properly on flush valve.
3. Fill valve turns on/off by itself without toilet being flushed, or runs allowing water to enter tank.	A. Clean or replace seal if seal is worn, dirty, or misaligned with flush valve seat or flush valve seat is damaged. Replace flush valve seal or flush valve. B. Remove tank and tighten flush valve nut if flush valve gasket is leaking. Do not overtighten. If leakage continues, replace gasket. C. Clean fill valve seat/seat washer of debris, or replace piston/seat washer assembly. D. Replace fill valve if valve float sinks. E. Adjust tank water level if too high.
4. Long tank fill cycle.	A. Fully open water supply shut-off valve. B. Clean fill valve inlet, valve head, or supply line. Flush lines.
5. Noisy tank fill cycle.	A. Partially close the water supply shut-off valve if water pressure to the toilet is too high. Check toilet performance following any such adjustment. B. Remove dirt or obstruction in valve head, flush line.

## 故障处理表

此份故障处理表仅提供基本帮助。

**注意:** 如果水不停地流入座便器, 则关闭座便器的供水, 不要冲洗。如果水箱内的水位降低, 则更换冲水阀的密封垫圈。如果水箱的水平面保持不变, 则更换进水阀。

问题	改进措施
1. 冲水不灵。	A. 调校水箱水位至水位线。 B. 完全打开供水管止水阀。 C. 清除存水弯、喷嘴或座便器冲水孔内的堵塞物。 D. 清除污水管或通气管内的堵塞物。
2. 不能冲水。	A. 除去冲水阀内的过滤器, 检查机械系统。如果有某个部分损坏, 更换冲水阀中新的过滤器。 B. 把直杆调节到冲水阀上合适的位置。
3. 未冲水时注水阀已自行开/关, 或注水阀转不停, 使水不断灌入水箱。	A. 如果垫圈磨损、变脏或未对准冲水阀座, 或者冲水阀座破损时, 应清洁或更换冲水阀球。更换冲水阀密封圈或冲水阀。 B. 如果冲水阀垫圈漏水, 则拆下水箱, 拧紧冲水阀。切忌过紧。如仍有漏水, 更换垫圈。 C. 清除注水阀座以及阀座垫圈中的脏物, 或更换活塞/阀座垫圈组件。 D. 如阀门入水口下沉, 则更换注水阀。 E. 如水箱水位太高, 则作调节。
4. 水箱注水需时过长。	A. 完全打开供水管止水阀。 B. 清洁注水阀进水口、阀帽或供水管。冲洗供水管。
5. 水箱注水时噪音过大。	A. 如果座便器内的水压过高, 则关小供水管止水阀。作过此类调节后, 检查座便器的使用情况。 B. 清除阀帽内的脏物或堵塞物。冲洗供水管。

## IMPORTANT CONSUMER INFORMATION 用户须知

### CONSUMER RESPONSIBILITIES

If you live in a hard water area, make certain that the holes in the toilet rim are kept clean to ensure proper bowl flushing. Toilet bowl cleaners should be used at least once a week. Use a long-handled brush to clean the rim holes, and to clean as far into the trap as possible to prevent mineral deposits from forming.

Most toilet bowl cleaners are not harmful to the vitreous china surface of the toilet bowl. Please follow the bowl cleaner manufacturer's instructions carefully.

Do not use abrasive cleaners or solvents.



**WARNING: Risk of property or product damage.**

Do not use in-tank cleaners. Products containing chlorine (calcium hypochlorite) can seriously damage fittings in the tank. This damage can cause leakage and property damage.

Kohler Company shall not be responsible or liable for any damage to these tank fittings caused by the use of cleaners containing chlorine (calcium hypochlorite).



**CAUTION: Don't use any cement while installing the toilet.** Heat expansion of the toilet may damage the feet of the toilet. Kohler will not be responsible for any damage because of using cement.



**WARNING: Risk of product damage.** Do not throw into the toilet what is easy to block it, such as newspaper, paper pilch, sanitary towel. Do not bump the vitreous china with great force to prevent it from damaging and leaking. Do not use the product in the water below 0°C.



**CAUTION:** Please do not use hard materials (like scouring pad) to clean product surface, especially the product logo.

### 用户责任

如果你居住地方的水质是硬性，你必须保持冲水孔清洁，令座便器冲水正常。每星期应最少使用座便器清洁剂清洁一次，用长把手的刷子清洁冲水孔，并尽量伸入排污管洗刷，防止矿物质积聚。

一些马桶清洁剂会损坏、腐蚀镀铬表面和龙头设备。请小心使用，避免与镀铬表接触。

请勿使用腐蚀性清洁剂或溶剂。



**警告：提防楼宇受损或损坏产品。**请勿在水箱内使用冲洗剂。这些长期使用于座便器、水箱内的冲洗剂(通常为蓝色固体)因其含氯(次氯酸钙)会严重破坏水箱内的配件(如：橡皮、镀铬)，从而引起渗漏，或对楼宇结构造成损坏。

科勒公司对此类因使用氯(次氯酸钙)而引致的水箱装置损毁，概不负责。



**警告：在安装本座便器时切勿使用任何水泥。**因为水泥的热膨胀可能使座便器的脚部挤破或损坏。科勒对所有因为水泥安装而引起的座便器破裂恕不负责。



**警告：提防损坏产品。**请不要向便器内冲入新闻纸、纸尿裤、妇用卫生巾等容易堵塞的物品。请不要用重力撞击陶瓷，以防止破损漏水。

不要在0°C以下的水环境中使用。



**警告：请勿使用钢丝球等硬质材料擦洗产品表面，特别是产品商标处。**